

## Full Spectrum Horticulture LED solution

### Greenhouse Inter power A



#### Key Features:

- .Leading LED Grow technology.
- .High Quality and reliability Design.
- .20% Better Vegetables and fruits Yield out of Greenhouse.
- . Just use the full spectrum sun light system with a efficacy of  $2.0-2.5 \mu\text{mol}/\text{J}$ .
- . Minimize your energy costs when using Atop efficient inter power solution for your greenhouse.

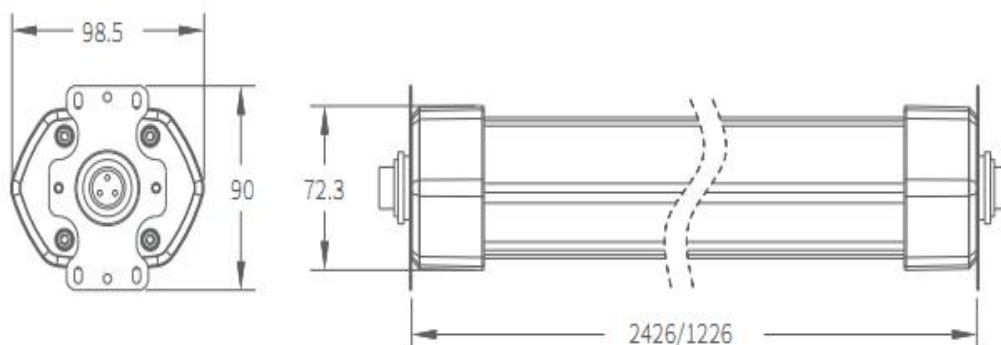
. Reduce your greenhouse installation costs and move the system to grow with your plant height and let all leaves get energy .

. Easy to grow and maintain.

Production Description:

Name	Greenhouse Inter power A		
Model	Hortibar 75	Hortibar 95	Hortibar 150
Length	1.2m	2.4m	2.4m
Power Consumption	75W	95W	150W
Initial Photon Flux	<b>165<math>\mu</math>mol/s</b>	<b>209<math>\mu</math>mol/s</b>	<b>330<math>\mu</math>mol/s</b>
System Efficacy	<b>2.2<math>\mu</math>mol/J</b>	<b>2.2<math>\mu</math>mol/J</b>	<b>2.2<math>\mu</math>mol/J</b>
Daisy Chain	20 units	20units	20units
Power Input	100-270V	100-270V	100-270V
Power Factor	>0.9	>0.9	>0.9
Water Proof	IP65	IP65	IP65
Package Size	1322X240X367M M 6pcs	2510x135x367M M 3pcs	2510x135x367M M 3pcs
Gross Weight	2.5kg	6.8kg	6.8kg
Warranty	5 years	5 years	5 years
Lifetime	50.000	50.000	50.000
Approval Marks	CE,PSE, UL/CSA		
Working t	Tc30K. Operating Temperature: -30~40°C. Lifespan: 25.000hrs (Note: Ta $\leq$ 25°C) Tolerance range for optical and electrical data: $\pm$ 10%.		

Dimension:



## Light Spectrum

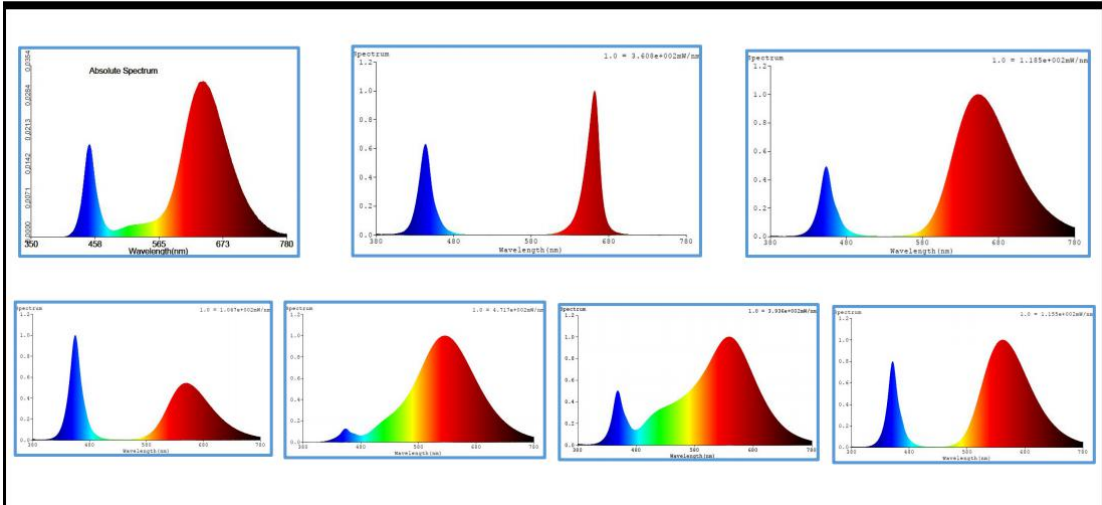


Diagram illustrating a daisy-chain light fixture system. The system consists of a long tube with multiple light fixtures connected in a chain. Three circular callouts highlight key features:

- up to **2.2 $\mu$ mol/J**
- daisy-chain** easy to install
- LONG** lifetime

Diagram illustrating a full spectrum sun light system. The system consists of a long tube with a light fixture at the end. The text below the diagram reads:

Full spectrum sun light system  
Uniform light for plants  
Energy Saving 50%

Below the text is a spectrum graph showing four distinct peaks labeled F1, F2, F3, and F4.

Diagram illustrating a full spectrum led chip light fixture. The fixture is shown as a long tube with a light fixture at the end. The text below the diagram reads:

Full spectrum led chip  
like sunlight

Diagram illustrating a full spectrum led chip light fixture. The fixture is shown as a long tube with a light fixture at the end. Below the diagram is a spectrum graph showing four distinct peaks labeled F1, F2, F3, and F4.

Production photos

