

1. Safety Instruction :
 - 1.1 Warning
 - 1.2 General Safety
 - 1.3 Handling Safety
2. Product Specifications
3. Product specification sheet
4. Product appearance dimension drawing
5. Installation
 - 5.1 Installation preparation
 - 5.1.1 Connector protective cover parts
 - 5.1.2 Mounting ring
 - 5.2 Assembly Steps
 - 5.2.1 Place connectors and cables
 - 5.2.3 Cover closed protective cover
6. Cable

Connector protection cover Installation Manual

1. Safety Instruction

The products may be installed only by suitably qualified and trained specialists with due observance of all applicable safety regulations. Proxables BV declines any liability in the event of failure to observe these warnings.

1.1 Warning

1.1.1 Do not deviate from the preparation and assembly procedures described here, since in this event, in the situation of self-assembly, no guarantee can be given as to safety or conformity with the technical data. Do not modify the product in any way.

1.1.2 Must match approved connectors and cables by Proxables BV, otherwise Proxables BV will disclaim any warranty responsibility.

1.2 General Safety

1.2.1 Protection from electric shock must be assured by the end product and its user.

1.2.2 To prevent electric shock, system must be disconnected from the power source when the connector protection cover is installed or disassembled.

1.2.3 The connector protection cover must not be subjected to continuous mechanical tension. The cable should be fixed with cable ties, avoiding any pull on the connectors.

1.3 Handling Safety

1.3.1 The connector cover cannot be used under water.

Connector protection cover Installation Manual

1.3.2 Below is the list of common chemicals that can affect the products. For other chemicals not listed in the table, please confirm with Proxables BV Technical Service BEFORE use.

NO.	Chemical Name
1	Lubricating oil
2	Rust-proof oil
3	Stamping oil
4	Grease
5	Engine oil
6	Diesel
7	Cooking oil
8	WD40
9	Banana oil
10	Oil sealing agent
11	Ethyl acetate

1.3.3 We recommend connector protection cover storage and transportation temperature between -40°C and $+85^{\circ}\text{C}$.

It is not allowed to be stored with the affected chemicals. The connector protection cover should be installed within one year of delivery

1.3.4 Proxables BV has the rights to make certain correction for the printing errors,

improvements and innovation for the products, and there will be no prior notice when these changes happen. If there was any misunderstanding for the version in different language, please regard this as the right one.

2. Product Specifications

Product Name	
Type	TL-SPC01-2
Certification authority	TUV
Certification standards	/
Rated voltage	1500V
Insulation strength	8KV
Rated impulse voltage	16KV
Ambient temperature range	-40°C~+85°C
Application degree	Class A
Protection class	Class II
Pollution degree	2
Degree of Protection	IP68
Flame class	UL94-V0
Sealing mode	Ring seal
Locking system	Clasp
Insulation material	PPO/m-PPE/etc

3. Product specification sheet

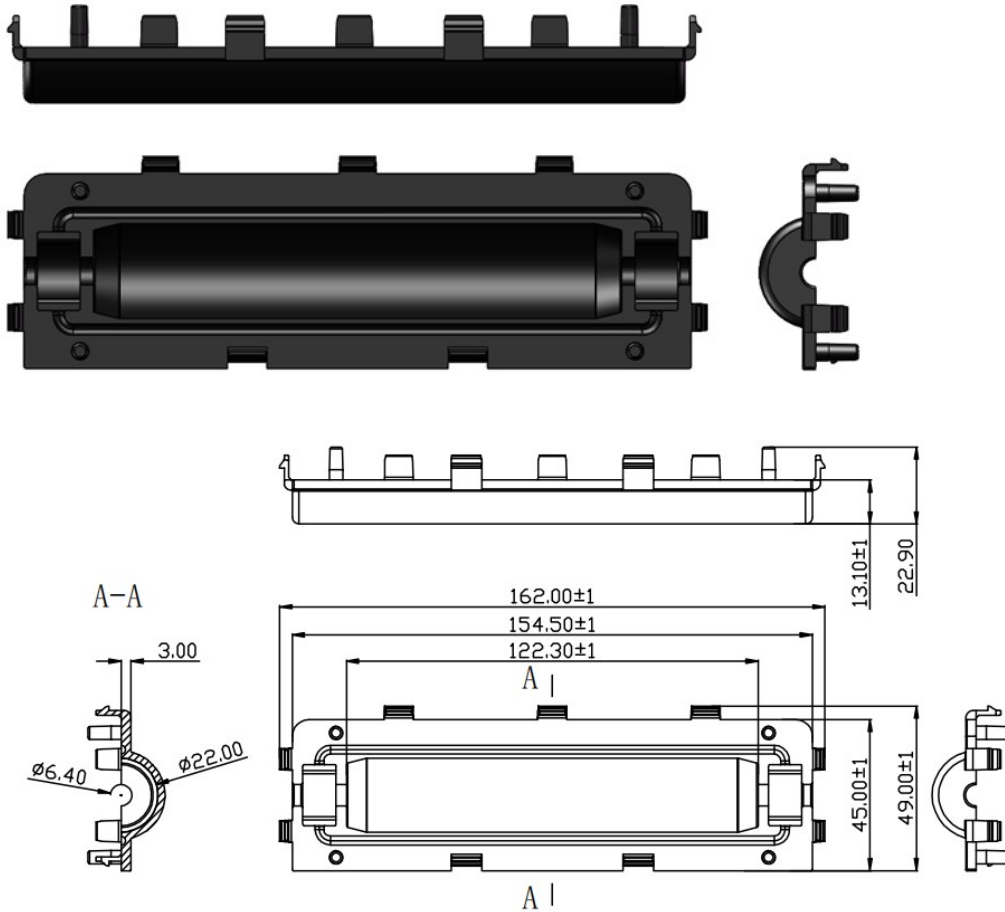
Type	Sealing ring OD	Cable OD	Connector OD	Connector OL
	mm	mm	mm	mm
TL-SPC01-2-1	$\Phi 5.9$	$\Phi 6.0 \sim \Phi 6.3$	$\leq \Phi 22$	≤ 120
TL-SPC01-2-2	$\Phi 5.5$	$\Phi 5.6 \sim \Phi 5.9$		

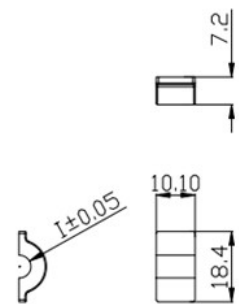
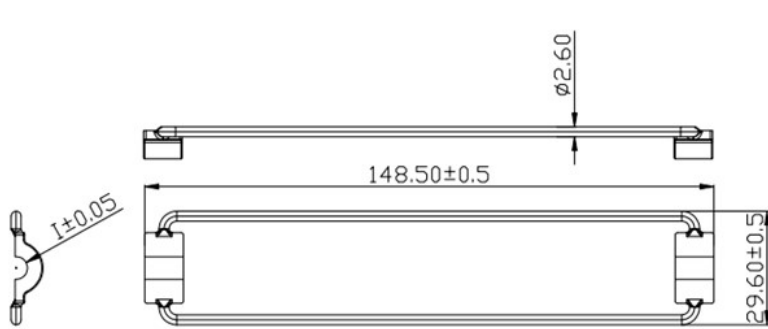
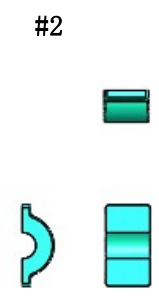
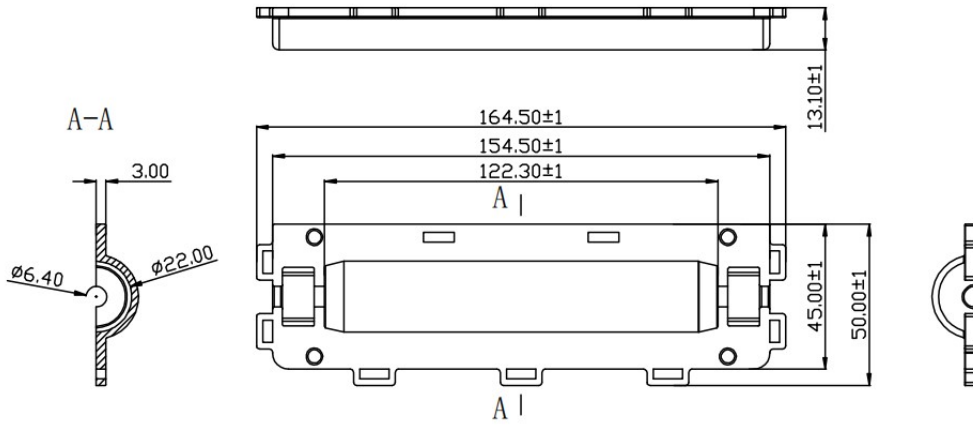
Note: Select the connector and cable specifications that match the connector protection cover.

Ensure that the outer diameter of the cable, outer diameter of the connector, and total length of the connector are within the size range. Otherwise, the application may be affected and security risks may arise.

4. Product appearance dimension drawing

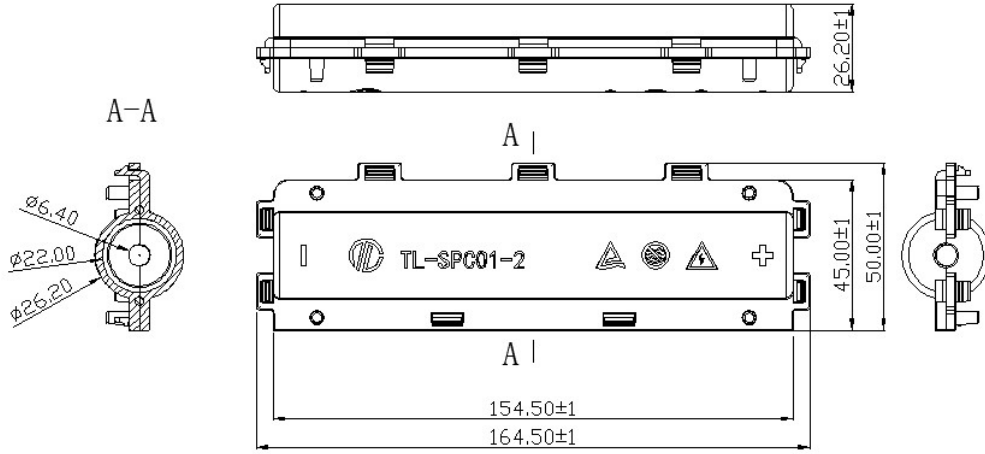
Before installation:





After installation:

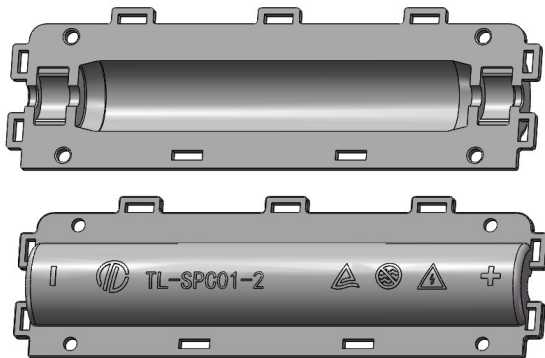
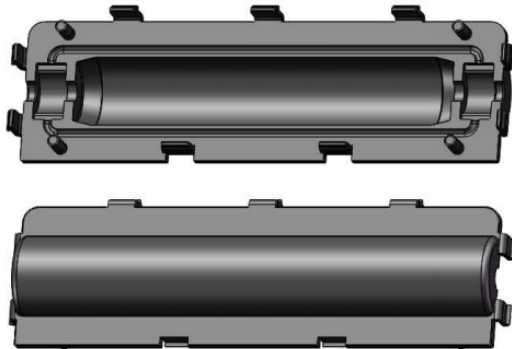




5. Installation

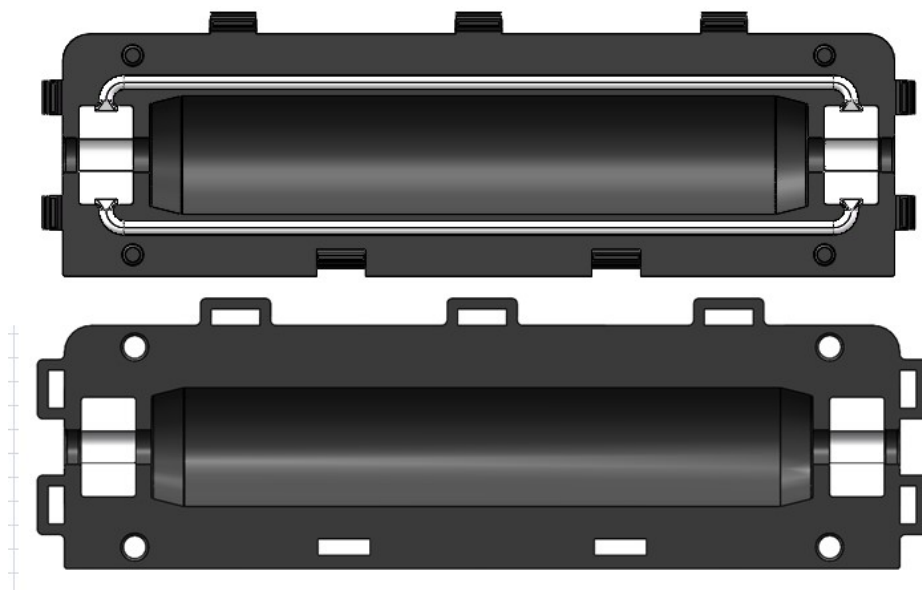
5.1 Installation preparation

5.1.1 Connector protective cover parts





5.1.2 Mounting ring

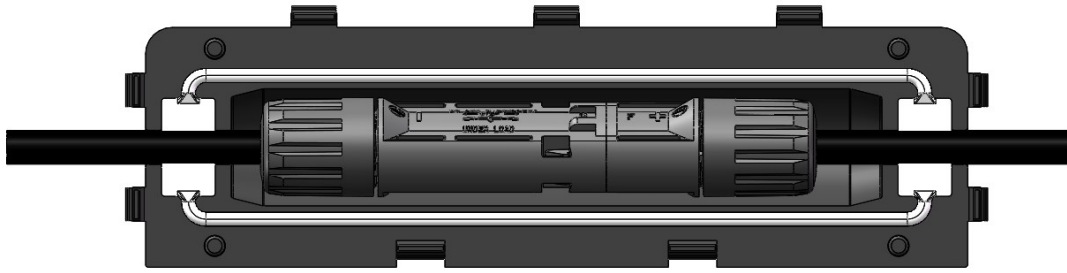


Install the seal ring into the slot in the designated area.

5.2 Assembly Steps

For assembling of connector protection cover we recommend an ambient temperature between 15~+45°C.

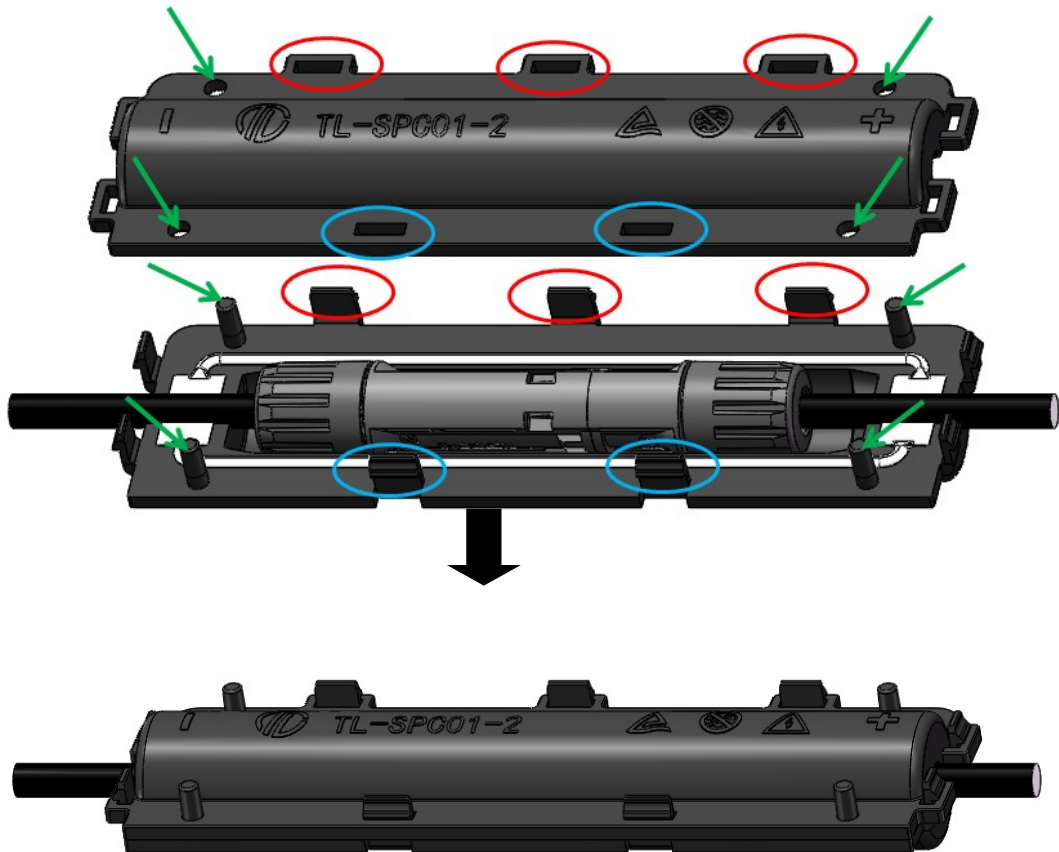
5.2.1 Place connectors and cables



Place the connector (including the cable) in the protective cover.

Note: Before performing this operation, keep the cable surface clean.

5.2.2 Cover closed protective cover



Align the buckle of the connector protective cover with the slot, post and hole, and apply force in opposite directions until engaged.

6. Cable

Leave at least 20mm of unbent length at the root of a cable. Otherwise, the seal may be deformed due to the external force generated by the cable bending.



GOOD



Wrong